

NI PXI-2569 Specifications

100-Channel SPST Relay Module

This document lists specifications for the NI PXI-2569 general-purpose relay module. All specifications are subject to change without notice. Visit ni.com/manuals for the most current specifications.

Configuration 100-channel SPST, latching

Input Characteristics

All input characteristics are DC, AC_{rms} , or a combination unless otherwise specified.

Maximum switching voltage

Channel-to-channel 100 V

Channel-to-ground 100 V, CAT I



Caution This module is rated for Measurement Category I and intended to carry signal voltages no greater than 100 V. This module can withstand up to 500 V impulse voltage. Do not use this module for connection to signals or for measurements within Categories II, III, or IV. Do not connect to MAINS supply circuits (for example, wall outlets) of 115 or 230 VAC. Refer to the *Read Me First: Safety and Radio-Frequency Interference* document for more information on measurement categories.

When hazardous voltages ($>42.4 V_{pk}/60 VDC$) are present on any relay terminal, safety low-voltage ($<42.4 V_{pk}/60 VDC$) cannot be connected to any other relay terminal.



Caution The switching power is limited by the maximum switching current, the maximum voltage, and must not exceed 60 W, 62.5 VA.

Maximum switching power60 W, 62.5 VA (DC to 60 Hz)
(per channel)

Maximum current1 A
(switching or carry, per channel)

Simultaneous channels at maximum
current ($\leq 35\text{ }^{\circ}\text{C}$).....50

Module Load Derating at $>35\text{ }^{\circ}\text{C}$

Load derating is dependent on the ambient temperature and the sum of the current squared of each channel simultaneously carrying a signal. The result must fall within the shaded region of Figure 1. The following examples represent this calculation.

Example 1:

50 channels carry 0.75 A while
10 channels carry 0.5 A

$$(50 \times 0.75^2) + (10 \times 0.5^2) = 30.6 \text{ A}^2 \times \text{Channels}$$

The module in Example 1 can be used at ambient temperatures between $0\text{ }^{\circ}\text{C}$ and $55\text{ }^{\circ}\text{C}$.

Example 2:

60 channels carry 0.75 A while
35 channels carry 0.5 A

$$(60 \times 0.75^2) + (35 \times 0.5^2) = 42.5 \text{ A}^2 \times \text{Channels}$$

The module in Example 2 can be used at ambient temperatures between $0\text{ }^{\circ}\text{C}$ and $45\text{ }^{\circ}\text{C}$.

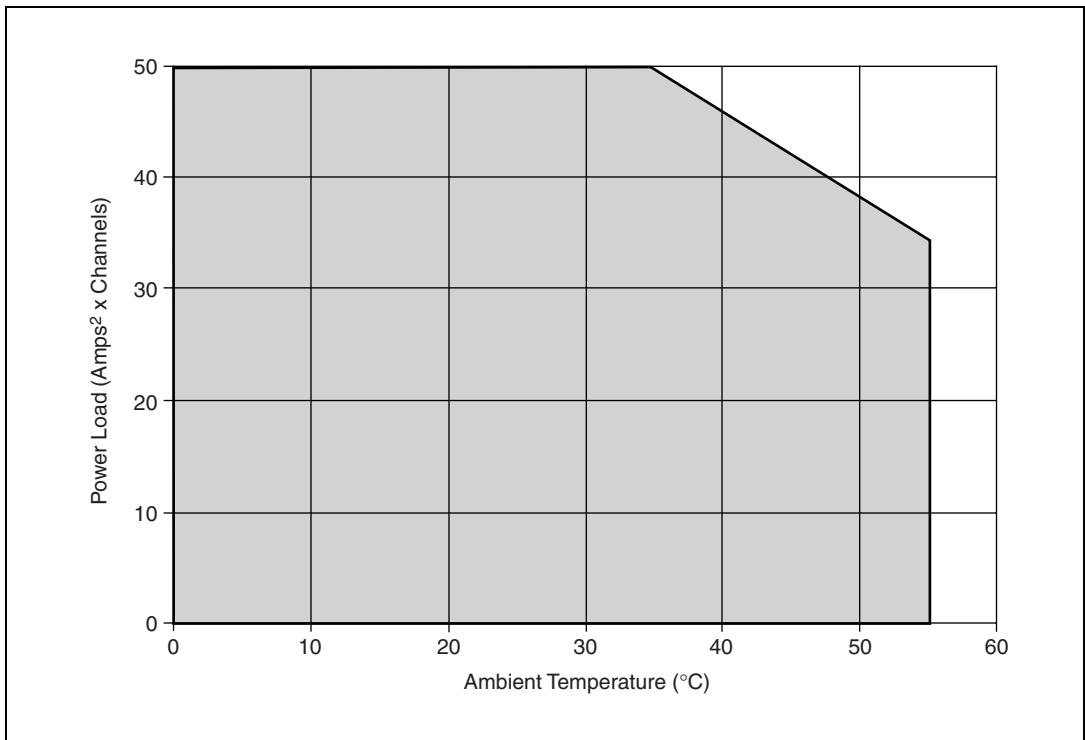


Figure 1. Module Load Derating

DC path resistance

Initial <0.55 Ω

End of life $\geq 1 \Omega$

DC path resistance typically remains low for the life of the relay. At the end of relay life, the path resistance rapidly rises above 1 Ω . Load ratings apply to relays used within the specification before the end of relay life.

Thermal EMF (typical at 23 °C) $\leq 12 \mu\text{V}$

Bandwidth (-3 dB, typical at 23 °C)

50 Ω termination $\geq 20 \text{ MHz}$

Crosstalk (typical at 23 °C, 50 Ω termination)

Channel-to-channel

10 kHz $\leq -85 \text{ dB}$

100 kHz $\leq -65 \text{ dB}$

1 MHz $\leq -45 \text{ dB}$

10 MHz $\leq -25 \text{ dB}$

Isolation (typical at 23 °C, 50 Ω termination)

Open channel

10 kHz≥85 dB

100 kHz≥65 dB

1 MHz.....≥45 dB

10 MHz.....≥25 dB

Dynamic Characteristics

Maximum cycle speed 145 cycles/s

Relay operate time

Typical..... 1 ms

Maximum3.4 ms



Note Certain applications may require additional time for proper settling. For information about including additional settling time, refer to the *NI Switches Help*.

Expected relay life

Mechanical 1×10^8 cycles

Electrical

10 VDC,

100 mADC resistive 2.5×10^6 cycles

10 VDC, 1 ADC resistive..... 1×10^6 cycles

30 VDC, 1 ADC resistive..... 5×10^5 cycles

60 VDC, 1 ADC resistive..... 1×10^5 cycles

Trigger Characteristics

Input trigger

SourcesPXI trigger lines 0–7

Minimum pulse width..... 150 ns



Note The NI PXI-2569 can recognize trigger pulse widths less than 150 ns by disabling digital filtering. For information about disabling digital filtering, refer to the *NI Switches Help*.

Output trigger

DestinationsPXI trigger lines 0–7

Pulse widthProgrammable (1 μs to 62 μs)

Physical Characteristics

Relay type	Electromechanical, latching
Relay contact material.....	Palladium-ruthenium, gold covered
I/O connector.....	200 POS LFH Matrix 50, receptacle
PXI power requirement.....	6 W at 5 V 2.5 W at 3.3 V
Dimensions (W × H × D).....	Single PXI slot, 3U 2 cm × 10 cm × 17.5 cm (0.8 in. × 3.9 in. × 6.9 in.)
Weight.....	289 g (10.2 oz)

Environment

The PXI-2569 is intended for indoor use only.

Operating temperature..... 0 °C to 55 °C

Storage temperature –20 °C to 70 °C

Relative humidity 5% to 85% noncondensing

Pollution Degree 2

Approved at altitudes up to 2,000 m.

Accessories

Visit ni.com for more information about the following accessories.

Table 1. NI Accessories for the NI PXI-2569

Accessory	Part Number
SH200LFH-4xDB50F-C, 1 m cable assembly to 4 × 50-pin female D-SUB	779038-02
SH200LFH-BARE WIRE, 2 m cable assembly to bare wire	779038-01



Caution You must install mating connectors according to local safety codes and standards and according to the specifications provided by the connector manufacturer. You are responsible for verifying safety compliance of third-party connectors and their usage according to the relevant standard(s), including UL and CSA in North America and IEC and VDE in Europe.

Table 2. Third-Party Accessories for the NI PXI-2569

Accessory	Manufacturer	Part Number
Terminal pin rows (four required per module)	Molex	71715-4002
Plug connector subassembly	Molex	71719-3000
Backshell only	Jevons	JDC200B-832
Mass interconnect cable assembly, 20 in.	Virginia Panel	540105010105
Mass interconnect cable assembly, 36 in.	Virginia Panel	540105010205
Mating ITA module (one required per module)	Virginia Panel	510108131
Mating ITA PC (198 required per module)	Virginia Panel	720101101

Table 3. Third-Party Accessories for the SH200LFH-4xDB50F-C Cable

Accessory	Manufacturer	Part Number
VARIOFACE module, with screw connection and 50 position D-Subminiature pin strip	Phoenix Contact	FLK-D50 SUB/S
VARIOFACE module, with screw connection and 50 position D-Subminiature pin strip	Phoenix Contact	FLKM-D50 SUB/S
VARIOFACE module, with screw connection and 50 position D-Subminiature pin strip	Phoenix Contact	FLKMS-D50 SUB/S
VARIOFACE module, with screw connection and 50 position D-Subminiature pin strip, with LED indicators	Phoenix Contact	FLKM-D50 SUB/S/LA

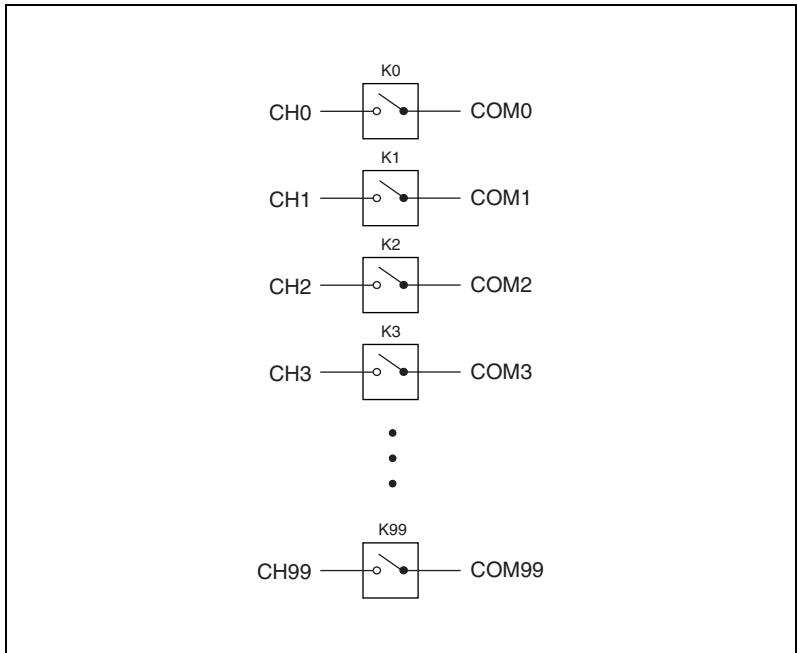


Figure 2. NI PXI-2569 Configuration (Relay Shown in Power-On State)

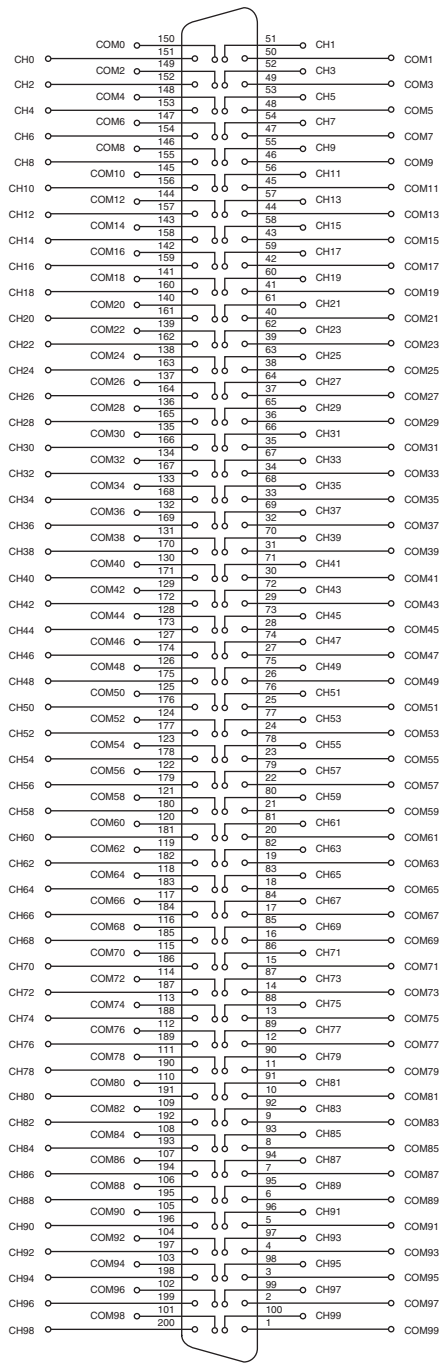


Figure 3. NI PXI-2569 Front Connector Pinout

Compliance and Certifications

Safety

This product is designed to meet the requirements of the following standards of safety for electrical equipment for measurement, control, and laboratory use:

- IEC 61010-1, EN 61010-1
- UL 61010-1
- CAN/CSA C22.2 No. 61010-1



Note For UL and other safety certifications, refer to the product label or visit ni.com/certification, search by model number or product line, and click the appropriate link in the Certification column.

Electromagnetic Compatibility

Emissions EN 55011 Class A at 10 m
FCC Part 15A above 1 GHz

Immunity EN 61326:1997 + A2:2001,
Table 1

CE, C-Tick, and FCC Part 15 (Class A) Compliant



Note For EMC compliance, you *must* operate this device with shielded cabling.

CE Compliance

This product meets the essential requirements of applicable European Directives, as amended for CE marking, as follows:

Low-Voltage Directive (safety) 73/23/EEC

Electromagnetic Compatibility
Directive (EMC) 89/336/EEC



Note Refer to the Declaration of Conformity (DoC) for this product for any additional regulatory compliance information. To obtain the DoC for this product, visit ni.com/certification, search by model number or product line, and click the appropriate link in the Certification column.

National Instruments™, NI™, and ni.com™ are trademarks of National Instruments Corporation. Product and company names mentioned herein are trademarks or trade names of their respective companies. For patents covering National Instruments products, refer to the appropriate location: **Help» Patents** in your software, the `patents.txt` file on your CD, or ni.com/patents.

© 2004 National Instruments Corp. All rights reserved.



373776B-01

Sep04